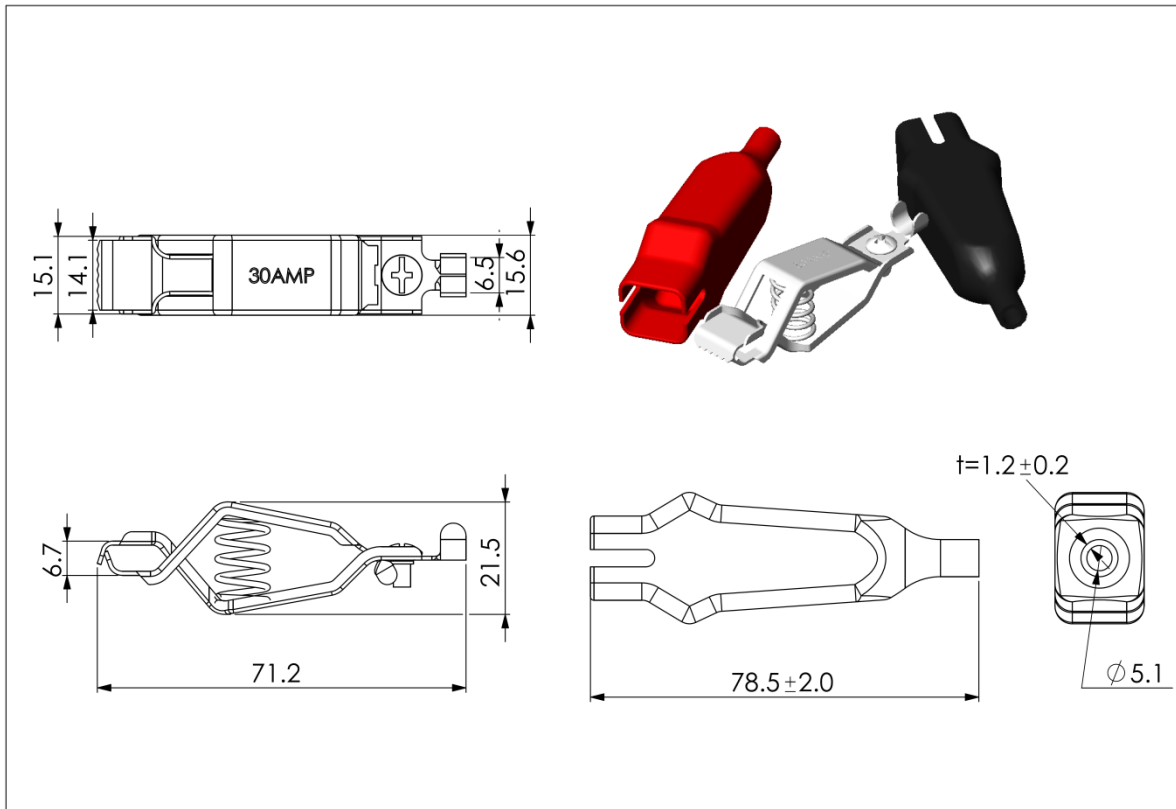


YE-2035A 30A BATTERY CLIP

MATERIALS :

1. MAIN BODY :
STEEL NICKEL PTD.
2. SHELL COVER :
PVC
3. SPRING:
STEEL NICKEL PLATED



俞昌有限公司 YEU TSANG CO. LTD.	品名: ITEM:	YE-2035A 30A Battery clip		一般公差	SHEET:	單位: unit:	mm	日期: date:	'07/01/23	繪圖: drwn by:	DanielShyr
	料號: PART NO.	YE-2035A		圖號: DRW NO.	.X +/-0.25 .XX +/-0.10		比例: scale:	1 : 1	版本: version:	V. 1.0	核准: aprvid by: